



Ride the Wayside – Enabling Ethernet & Voice over your existing Radio Wayside Channel

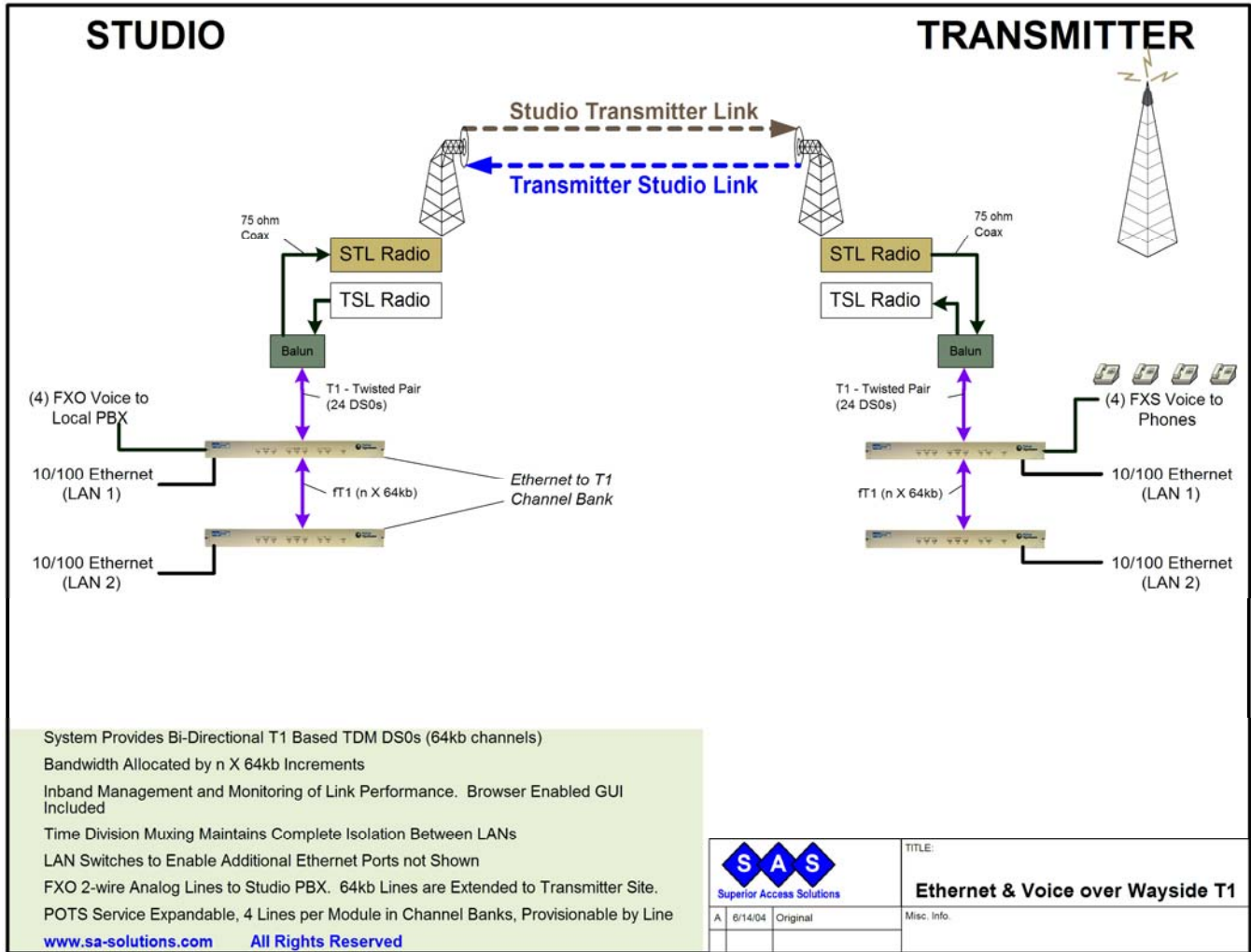
With the remote management, control, and reporting features available today on transmitters and equipment, broadcasters need to get the most out of their signal transport path. Remote management from the studio, office or from the Internet 24/7/365 is now possible.

The wayside channel is an overlooked access “pipe” and opportunity, clearly one that will benefit the entire organization. Creating significant cost savings, a positive ROI and an improvement in network performance, the wayside channel will increase network reliability and operations. The ability to remotely monitor and communicate with the distant transmitter over 1.544 Mbps of T1 bandwidth will quickly save time, money, and headaches. The demand for telephone and Ethernet bandwidth continues to grow. Ethernet and IP connections are becoming the standard interface on most equipment. Tapping this resource without interference to the video signal is a huge value at your disposal.

Wayside T1 channels are an ideal way to deliver Ethernet and POTS service to transmitter and translator sites virtually cost free. This multiple service transport enables network based monitoring of remote equipment and Internet connectivity. Toll quality telephone service can ride in parallel with the LAN services, enabling phone and modem services. Long distance toll calls can also be eliminated through an extension of the studio’s PBX. FSX, FXO, 4W E&M, and 232 signals are all transportable as well.

Whether it’s an analog or digital microwave radio from Harris, MRC, Alcatel, Mosley, Axxcelera, Western Multiplex, etc., the benefits of riding the wayside T1 can be one of the best ways to save money and capitalize on additional services.

Figure 1 shows a typical STL / TSL application and the equipment required to provide wayside T1 service for POTS and Ethernet for 2 physically isolated LANs. One LAN is for internal management and operations, while the other is for e-mails and internet access. Voice and data traffic ride the wayside and have no impact or intrusion on the video signal. Contact SAS for additional methods for LAN isolation and 232 to Ethernet adaptation.



SAS delivers products and solutions that are affordable, standards based and will allow for technology and future expansion. This budget friendly investment will quickly be realized after deploying enhanced services through the wayside T1 channel. They feature the switching and transport of integrated services, centralized control, network management and QoS.

Superior Access Solutions is a systems integrator and equipment reseller providing networking and transmission solutions. SAS offers complete turnkey services to design, test and integrate your network. Our expertise in transmission as well as cable and circuit management is second to none. Our skilled and highly competent designs bring you these enhanced capabilities quickly and cost effectively. In addition to wayside T1 applications, SAS has many carrier class solutions for issues that challenge broadcasters today. They include: DTV and HDTV transmission, backhaul, monitoring and grooming. The

services supported can include SMPTE 310, DVB-ASI, SDI & composite video transport, voice and video over IP, Ethernet, T1s, RS422 and voice.

Please call for more information on how SAS can help you ride the wave of the future and opportunity. Get ready to maximize your network and be prepared for the communication demands of the future. Video, voice and data needs will continue to challenge your network. Let Superior Access Solutions help show you the way.

For more information or a quote on these solutions, please contact us at 952-895-6152 or online www.sa-solutions.com.